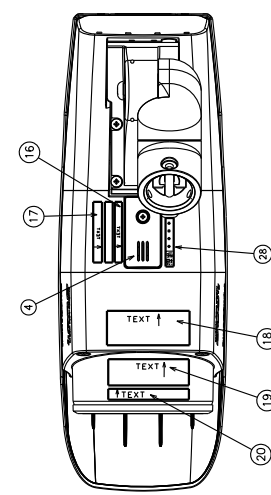
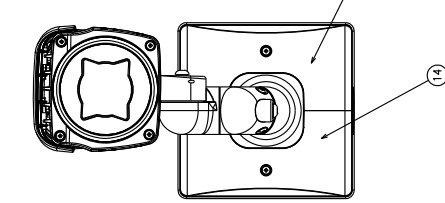
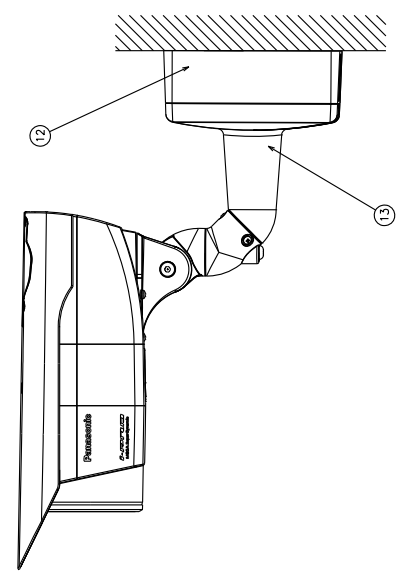
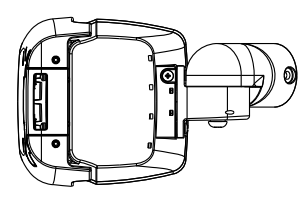
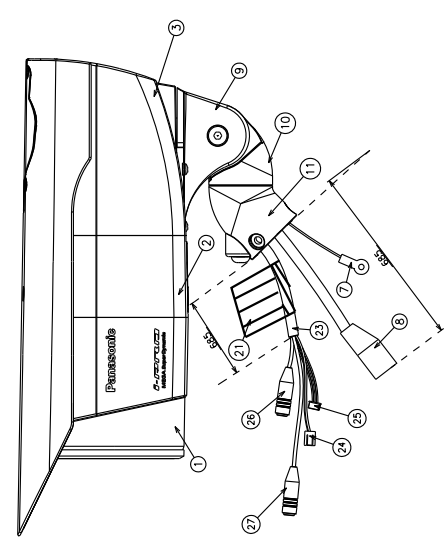
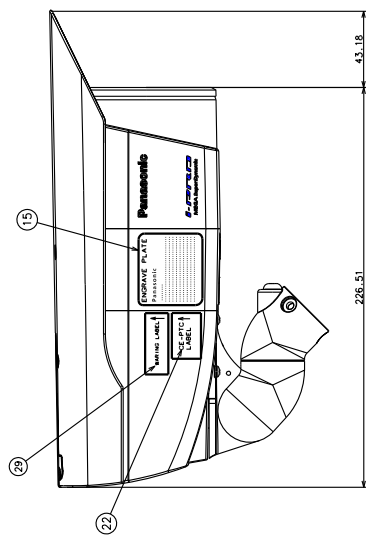
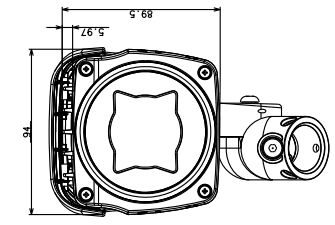
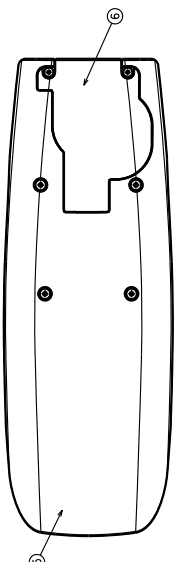


・パナソニックグループ化学物質管理システム最新版(表紙版)を遵守すること。  
 URL:<http://panasonic.co.jp/procurement/green/>  
 ・Observe the Panasonic Group Chemical Substances Management Rank Guidelines latest version (For Products).  
 URL:<http://panasonic.net/procurement/green/>



NO.	PART NAME	MATERIALS	PROCESS and FINISHES
1	CASE (FRONT)	Aluminum Die Casting	Electrocoat (Silver metallic)
2	CASE (BACK)	Aluminum Die Casting	Electrocoat (Silver metallic)
3	COVER (FRONT)	PC/ABS	Electrocoat (Silver metallic)
4	COVER (BACK)	PC/ABS	Electrocoat (Silver metallic)
5	COVER (SHIELD)	PC/ABS	Electrocoat (Silver metallic)
6	COVER (SHIELD COVER)	PC/ABS	Electrocoat (Silver metallic)
7	SAFETY WIRE		
8	LAMP BASE		
9	LAMP		
10	BRACKET A	Aluminum Die Casting	Electrocoat (Silver metallic)
11	BRACKET B	Aluminum Die Casting	Electrocoat (Silver metallic)
12	BASE	Aluminum Die Casting	Electrocoat (Silver metallic)
13	SUPPORT COVER	Aluminum Die Casting	Electrocoat (Silver metallic)
14	REAR COVER	Aluminum Die Casting	Electrocoat (Silver metallic)
15	ENGRAVE PLATE	POLYESTER FILM	PRINTING
16	SERIAL NUMBER LABEL	POLYESTER FILM	PRINTING
17	DATE CODE LABEL	POLYESTER FILM	PRINTING
18	ATTENTION LABEL	POLYESTER FILM	PRINTING
19	SAFETY LABEL (LENS COVER)	POLYESTER FILM	PRINTING
20	SAFETY LABEL (MOUNT)	POLYESTER FILM	PRINTING
21	CABLE LABEL	POLYESTER FILM	PRINTING
22	IC-PTC LABEL	POLYESTER FILM	PRINTING
23	COMPOSITE CABLE		
24	POWER CABLE		
25	ALARM 1/2 CABLE		
26	ALARM 1/2 CABLE		
27	ALARM 1/2 CABLE		
28	PRODUCTION DATE CODE		
29	WARNING LABEL		

REMARK		*****	*****	*****
Weight:		PROCESS		
SCALE	DESIGNED	CHECKED	APPROVED	
1:1	HASHI IKKI	GIRO	TAKAHASHI	
	20140724	20140724	20140724	
MODEL	NAME			
WV-SPW531LH	APPEARANCE			
DRAWING/Part No.	DRAWING/Part No.			
	PG21000324A			
REF. NO.	ISSUE 1-1			1/1

SYM	DATE	REVISION	SIGNED	CHECKED
△				
△				
△				