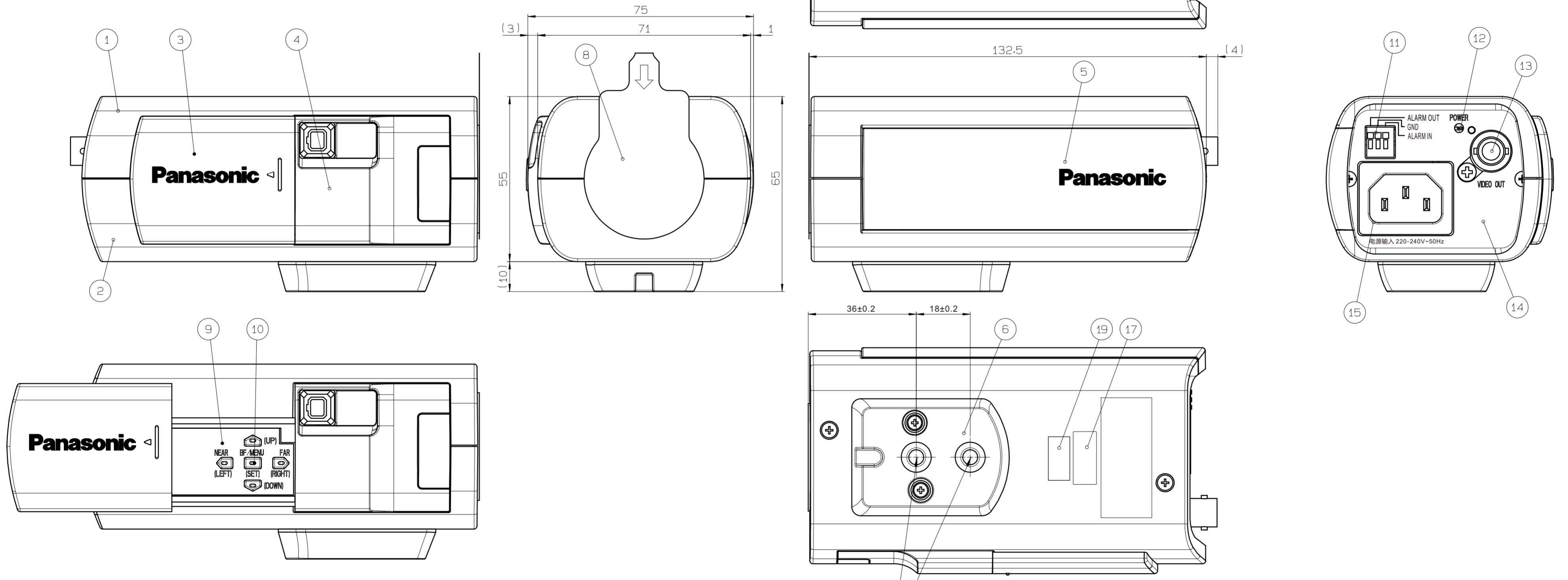


1 2 3 4 5 6 7 8

| Sym. | Item or Parts No. | Name | Qty | Material & Size | Treatment | Remark |
|------|-------------------|-----------------------|-----|-----------------|-------------------|--------|
| 1 | | Upper Case | 1 | ABS | Painting (Silver) | |
| 2 | | Bottom Case | 1 | ABS | Painting (Silver) | |
| 3 | | Side Switch Cover | 1 | ABS | Painting (Silver) | |
| 4 | | Switch Panel | 1 | ABS | Painting (Silver) | |
| 5 | | Panel(Right Side) | 1 | ABS | Painting (Brown) | |
| 6 | | Mount Adapter | 1 | ABS/PC | | |
| 7 | | Serial Number label | 1 | Polyester Film | | |
| 8 | | Lenz Mount Label | 1 | | | |
| 9 | | Switch Plate | 1 | | | |
| 10 | | Camera Set Up Switch | 5 | | | |
| 11 | | ALARM Terminal | 1 | | | |
| 12 | | POWER Indicator | 1 | | | |
| 13 | | VIDEO OUT Connector | 1 | | | |
| 14 | | Rear Panel | 1 | Aluminum Plate | | |
| 15 | | AC Receptacle | 1 | | | |
| 16 | | Name Plate | 1 | Polyester Film | | |
| 17 | | GB Mark label | 1 | | | |
| 18 | | Production Date Label | 1 | Polyester Film | | |
| 19 | | CE Label | 1 | Polyester Film | | |

A
B
C
D
E
F
T

A
B
C
D
E
F
T



2-1/4-20UNC for Tripod
(Depth 10mm)

| Sym. | Date | Revision | Sign | Checked |
|------|------|----------|------|---------|
| | | | | |

| Sym. | Item or Parts No. | Name | Qty | Material & Size | Treatment | Remark |
|--------------------|-------------------|---------|---------|-----------------|------------------|-------------|
| Unit:mm | | | | WEIGHT:430g | Type | WV-CP750/CH |
| third angle system | Material & Size | Process | Remark | | DWG. Name | APPEARANCE |
| Scale | Designed | Drawn | Checked | Approved | DWG. or Part No. | M-Mb |
| 1:1 | 许凌杰 | 许凌杰 | 顾波 | 唐雷钧 | Ref.No. | 1-1 |