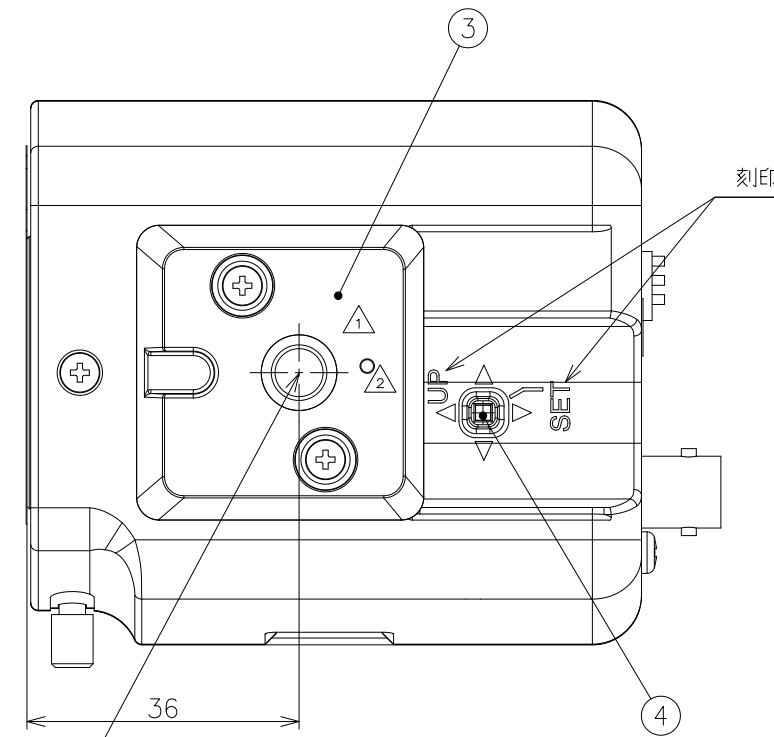
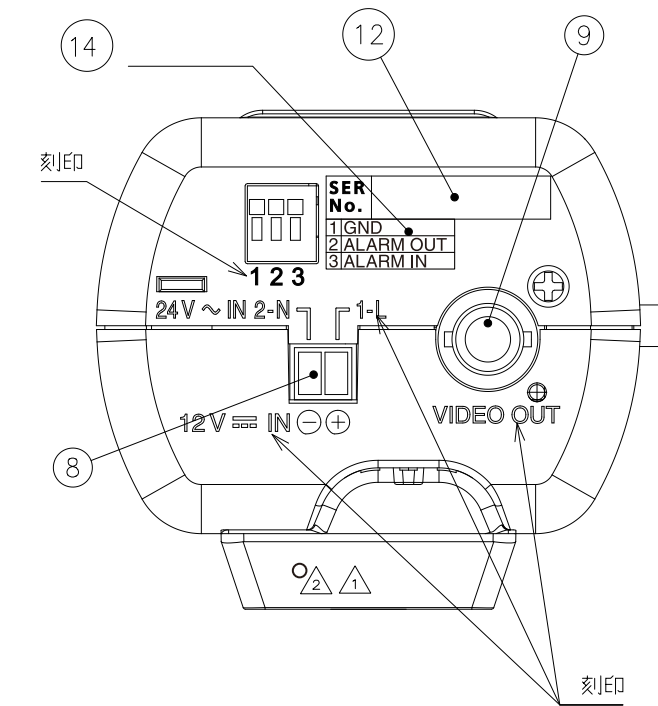
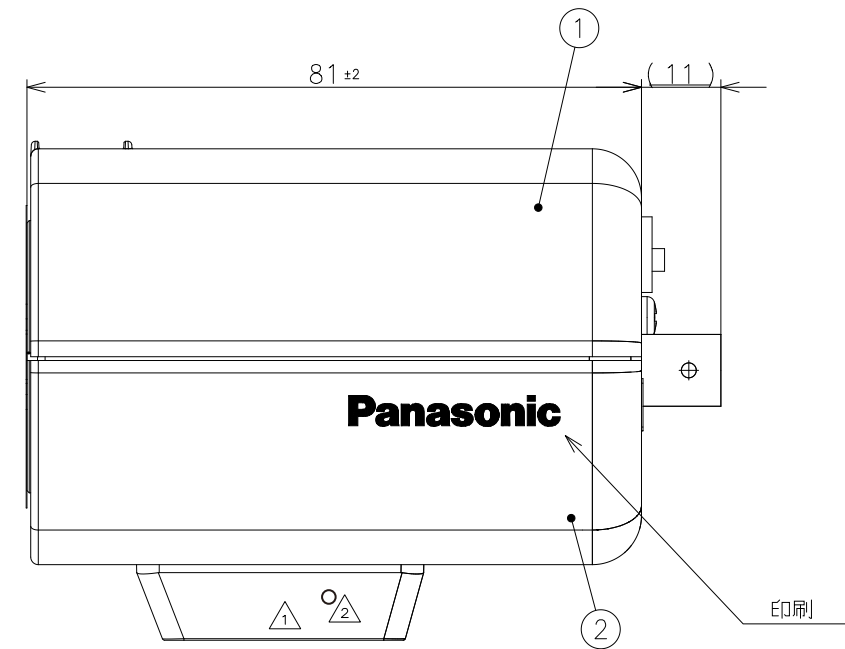
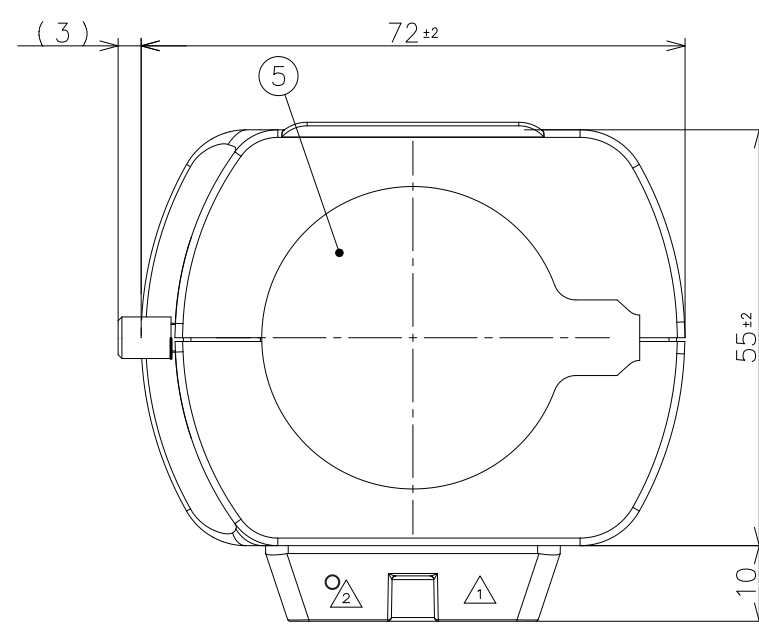
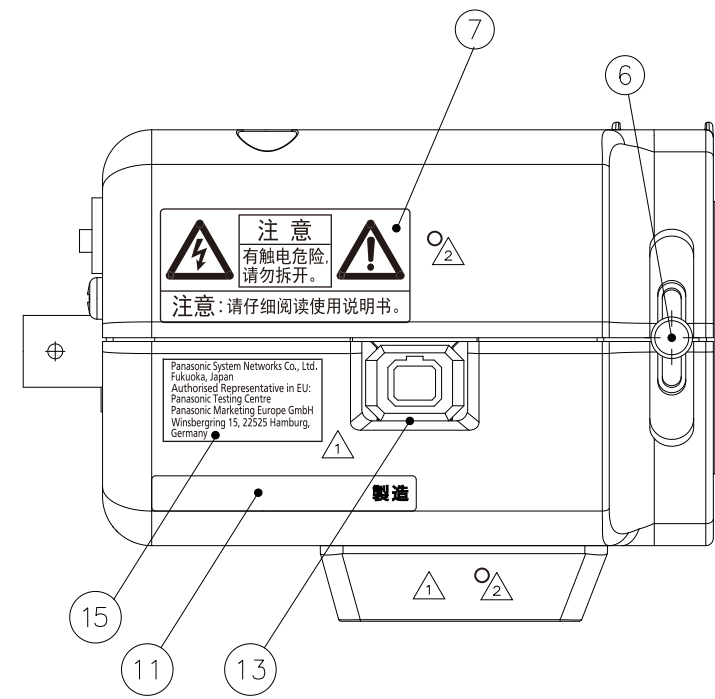
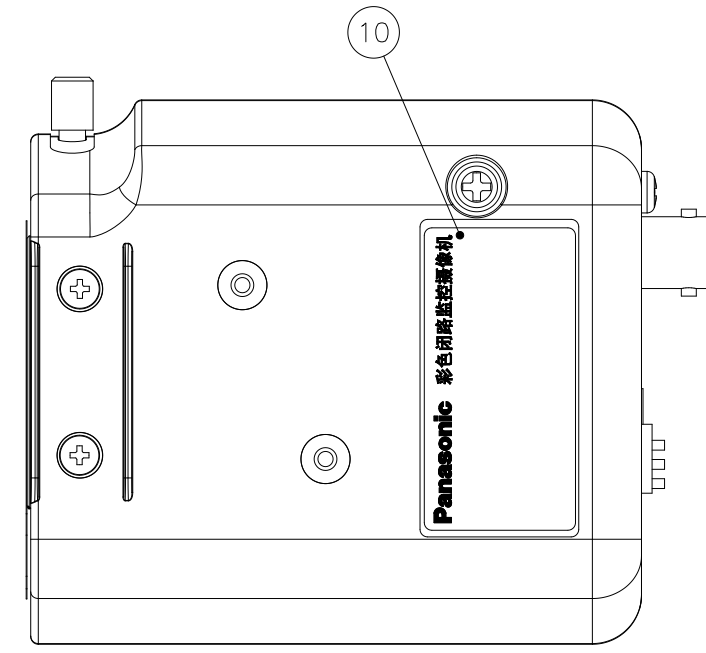


・パナソニックグループ化学物質管理ランク最新版（製品版）を遵守すること。  
 .URL: <http://panasonic.co.jp/procurement/green>  
 .Observe the Panasonic Group Chemical Substances management Rank Guidelines latest version <For products>.  
 .URL: <http://panasonic.net/procurement/green>

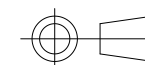
SYM.	DATE	REVISION	SIGNED	CHECKED
△ X7	20140421	添加CE标签, 去除安装座	郝连喜	唐雷钧
△ X6	20140714	更新警告LOGO版本, 将安装座添加进外观图	郝连喜	唐雷钧
△				
△				



1/4-20UNC for Tripod  
(Depth 10mm)

15	△	CE LABEL	1	Poryester Film		
14		Alarm label	1	Poryester Film		
13		ALC lens connector	1			
12		Serial number label	1	Poryester Film		
11		Production date label	1	Polyester Film		
10		Name label	1	Polyester Film		
9		Video output connector	1			
8		Power input terminal	1			
7		Caution label	1	Polyester Film		
6		Back focus adjustment screw	1	SWCH		
5		Lens mount label	1	PP FILM		
4		Setup button	1	ABS (V-0)		
3		Tripod mount base	1	ABS/PC		
2		Lower case	1	ABS (V-0)		
1		Upper case	1	ABS (V-0)		
SYM.	ITEM OR PARTS No.	NAME	QTY	MATERIAL & SIZE	TREATMENT	REMARK

Unit:mm



REMARK		MATERIAL & SIZE		PROCESS		MODEL	NAME
SCALE	DESIGNED	DRAWN	CHECKED	APPROVED	Weight: APPROX. 170g	WV-CP704CH	箱入規格/Main Assembly Standards <外觀圖>
1:1	郝连喜 20140220	郝连喜 20140220	唐雷钧 20140220	高桥 20140220			Page M-Mb1 of M-Mb1

REF.NO.	ISSUE 1-3	1
---------	-----------	---