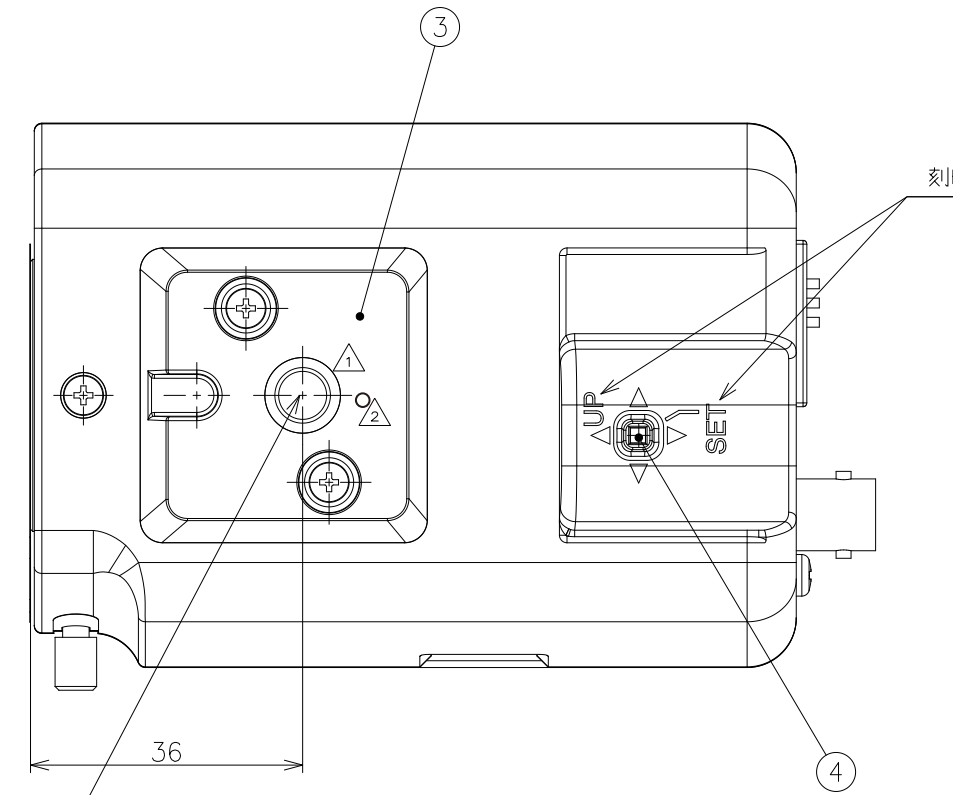
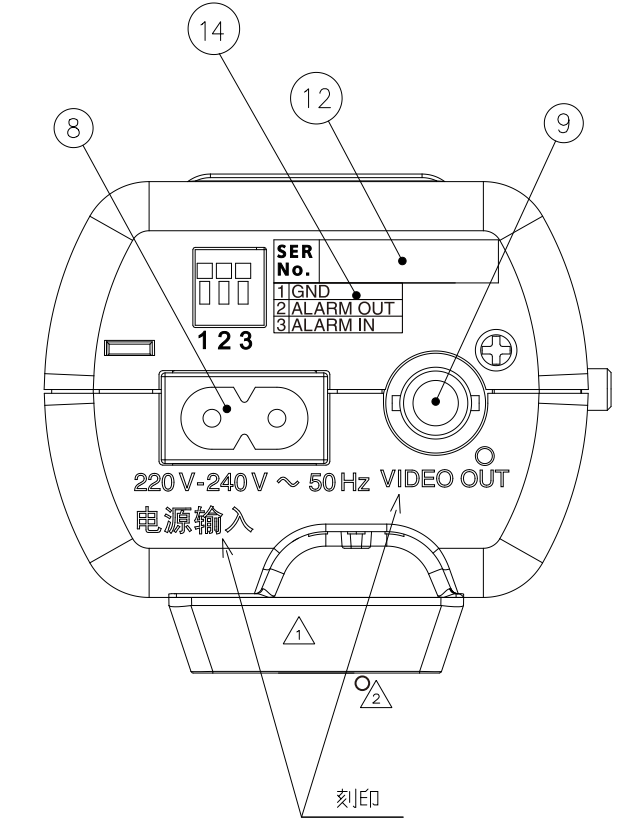
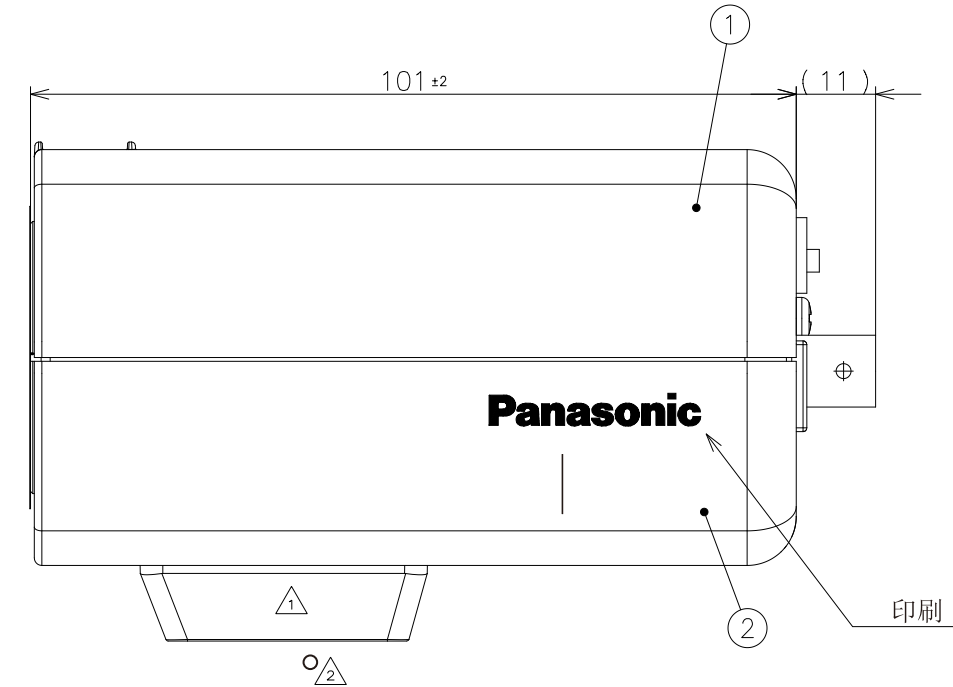
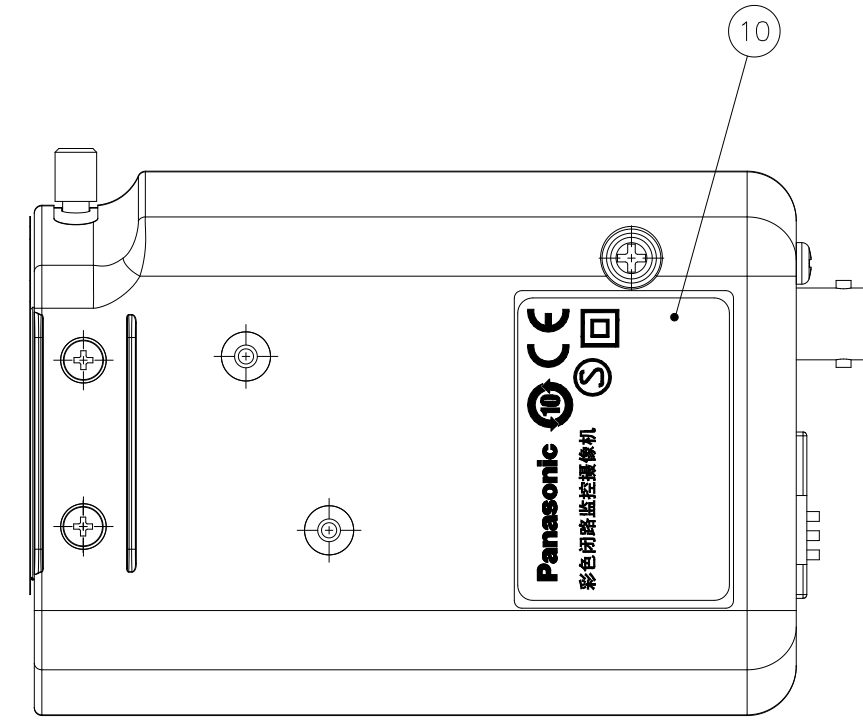
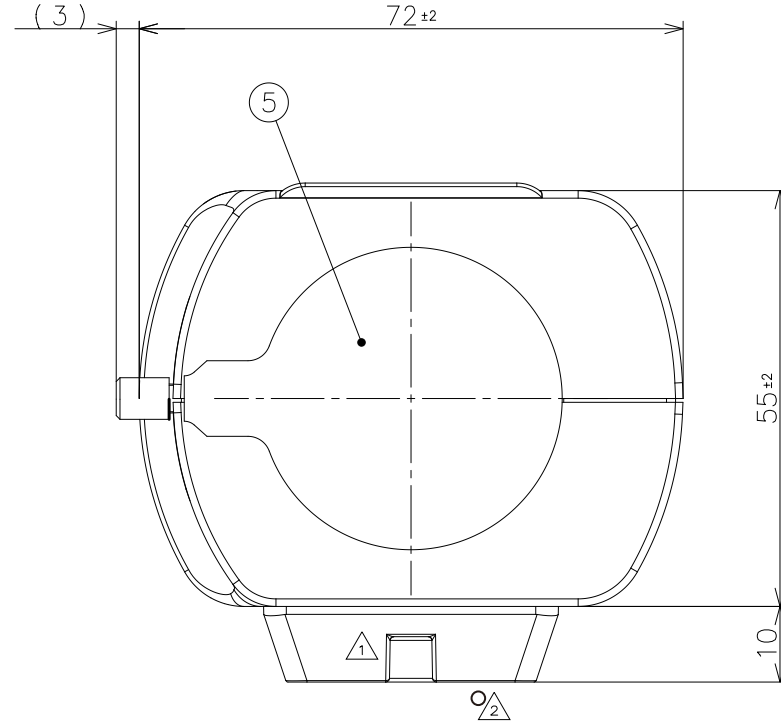
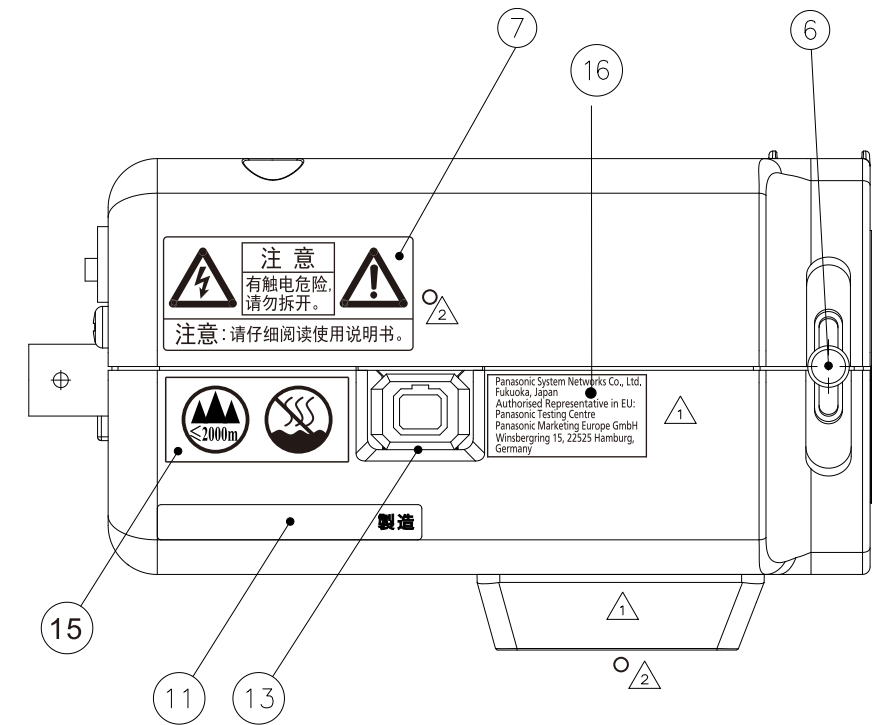


・パナソニックグループ化学物質管理ランク最新版（製品版）を遵守すること。  
 .URL:<http://panasonic.co.jp/procurement/green>  
 .Observe the Panasonic Group Chemical Substances management Rank Guidelines latest version <For products>.  
 .URL:<http://panasonic.net/procurement/green>

SYM.	DATE	REVISION	SIGNED	CHECKED
△ X7	20140421	添加CE标签, 去除安装座	郝连喜	唐雷钧
△ X6	20140714	更新警告LOGO版本, 将安装座添加进外视图	郝连喜	唐雷钧
△				
△				



SYM.	ITEM OR PARTS No.	NAME	QTY	MATERIAL & SIZE	TREATMENT	REMARK
16	△	CE LABEL	1	Poryester Film		
15		GB mark label	1	Poryester Film		
14		Alarm label	1	Poryester Film		
13		ALC lens connector	1			
12		Serial number label	1	Poryester Film		
11		Production date label	1	Polyester Film		
10		Name label	1	Polyester Film		
9		Video output connector	1			
8		AC power input terminal	1			
7		Caution label	1	Polyester Film		
6		Back focus adjustment screw	1	SWCH		
5		Lens mount label	1	PP FILM		
4		Setup button	1	ABS (V-0)		
3		Tripod mount base	1	ABS/PC		
2		Lower case	1	ABS (V-0)		
1		Upper case	1	ABS (V-0)		

REMARK		MATERIAL & SIZE		PROCESS		Weight: APPROX, 190 g	MODEL
SCALE	DESIGNED	DRAWN	CHECKED	APPROVED			WV-CP700/CH
1:1	郝连喜	唐雷钧	唐雷钧	高桥			箱入規格/Main Assembly Standards <外觀圖>
	20140220	20140220	20140220	20140220			Page M-Mb1 of M-Mb1

