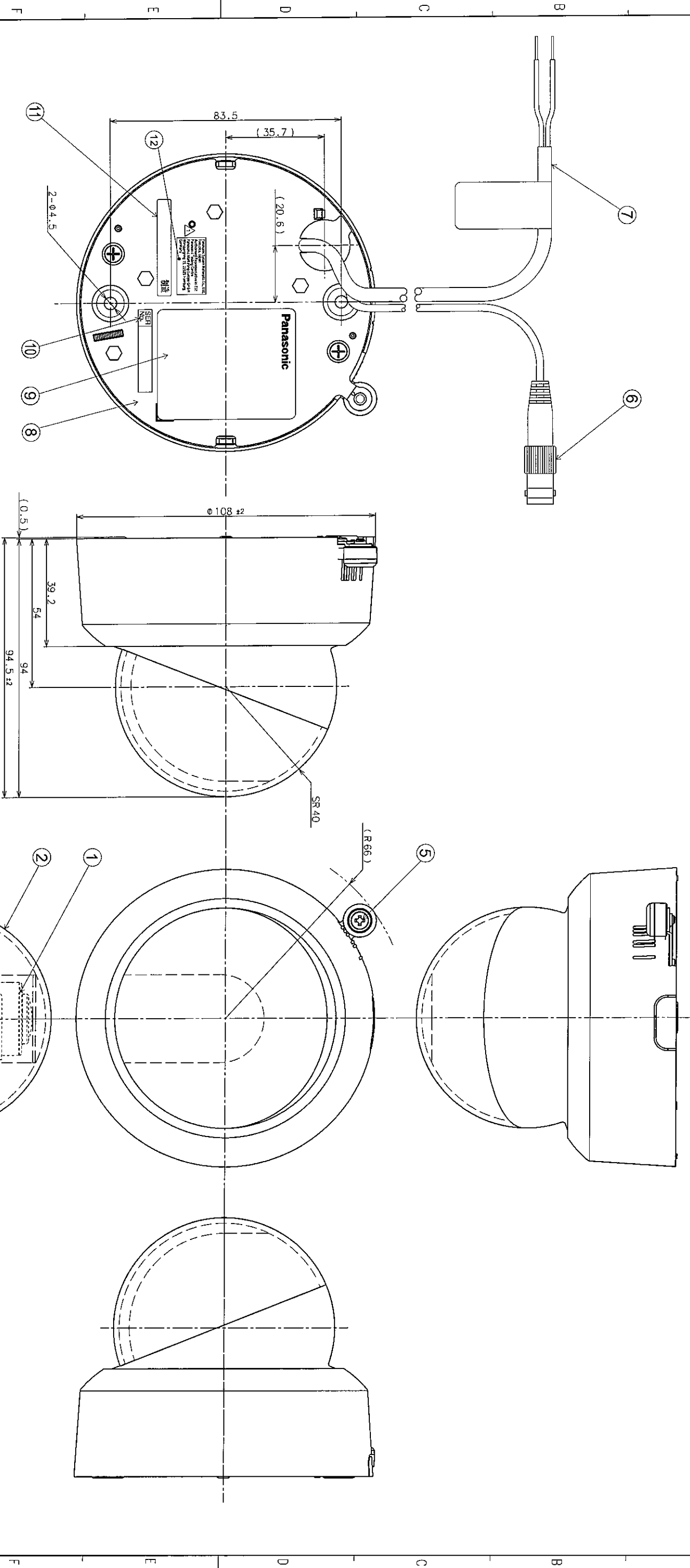


・付与された名称は、必ずしも商標（登録）を示すものではありません。  
 URL: <http://panasonic.co.jp/eco/topics/suppliers/>  
 ・Observe the Panasonic Group Chemical Substances Management Rank Guidelines  
 latest version (for Products).  
 URL: <http://panasonic.net/eco/topics/suppliers/>

SYM.	DATE	REVISION	DRAWN	CHECKED
△X2	20140421	追加C标签		
△A				



SYM.	ITEM OR PARTS NO.	NAME	QTY	MATERIAL&SIZE	TREATMENT	REMARK
	12	生産新ラベル	1			
	11	Production Date Label	1	Polyester Film		
	10	Serial Number Label	1	Polyester Film		
	9	Name Plate Label	1	Polyester Film		
	8	Main Chassis	1	EGC20/20QF t1.0		
	7	Power Cable	1			
	6	Video Output Connector	1			
	5	Top Cover Fixing Screw	1			
	4	Top Cover	1	ABS Resin		
	3	Inner Dome	1	ABS Resin		
	2	Dome Cover	1	PC Resin		
	1	Lens	1			

REMARK	SCALE	DESIGNED	DRAWN	CHECKED	PROCESS	MODEL
Weight: 320g ± 20g	1:1				APPROVED	WV-CFT24CH
						APPEARANCE
						Page: 1/1