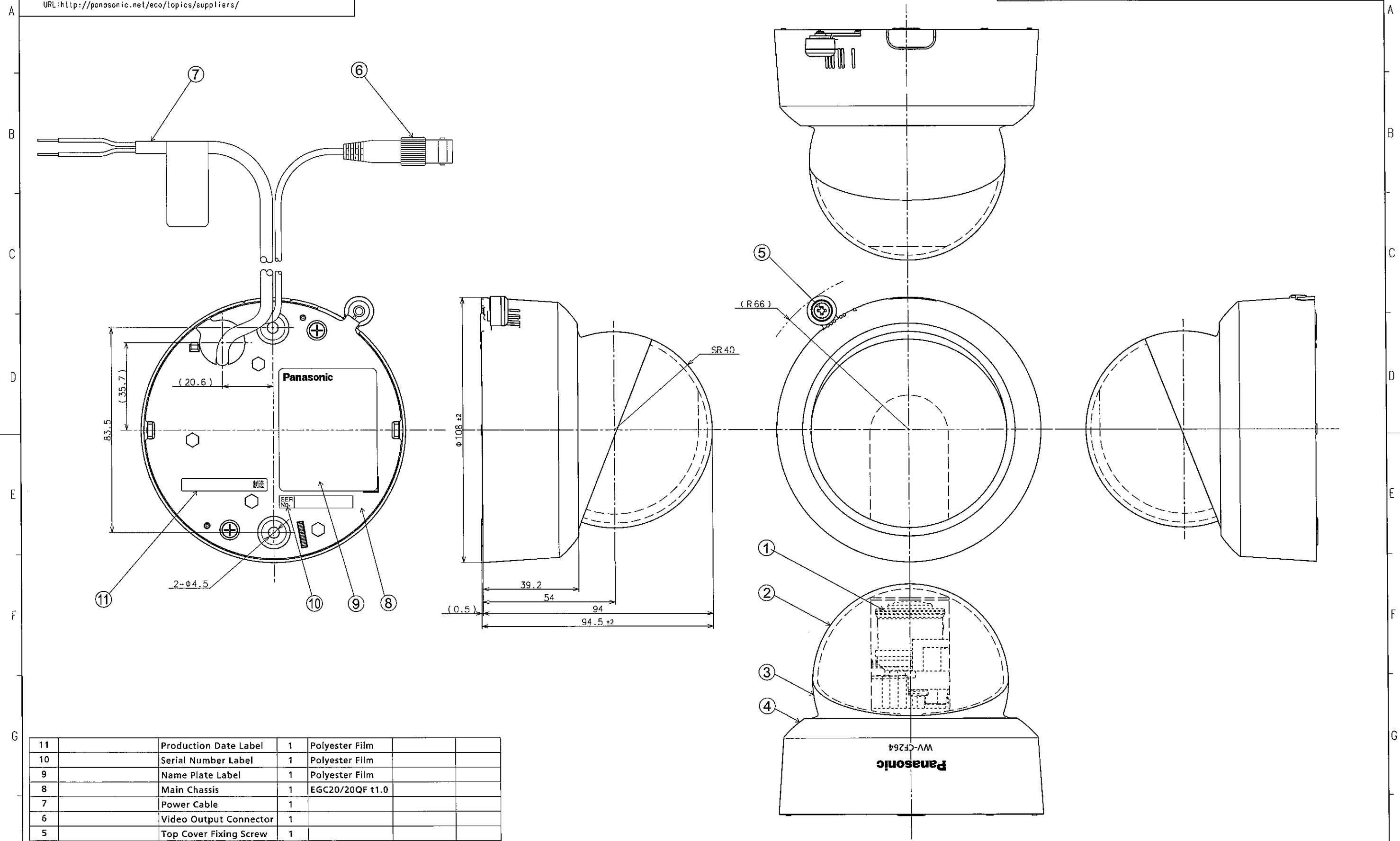


・パナソニックグループ化学物質管理ランク指針(製品版)を遵守すること。
 URL: <http://panasonic.co.jp/eco/topics/suppliers/>
 ・Observe the Panasonic Group Chemical Substances Management Rank Guidelines latest version (For Products).
 URL: <http://panasonic.net/eco/topics/suppliers/>

SYM.	DATE	REVISION	SIGNED	CHECKED
△				
△				
△				



SYM.	ITEM OR PARTS No.	NAME	QTY	MATERIAL&SIZE	TREATMENT	REMARK
11		Production Date Label	1	Polyester Film		
10		Serial Number Label	1	Polyester Film		
9		Name Plate Label	1	Polyester Film		
8		Main Chassis	1	EGC20/20QF t1.0		
7		Power Cable	1			
6		Video Output Connector	1			
5		Top Cover Fixing Screw	1			
4		Top Cover	1	ABS Regin		
3		Inner Dome	1	ABS Regin		
2		Dome Cover	1	PC Regin		
1		Lens	1			

Unit : mm

REMARK		MATERIAL & SIZE		PROCESS		MODEL	NAME
SCALE	DESIGNED.	DRAWN	CHECKED	APPROVED		WV-CF264CH	輸入規格/Main Assembly Standards
1:1							Page M-Mb1 of M-Mb1
REF. NO.							ISSUE 1-1