

# HD Analog Camera User's Manual

Model No. CV-CPW203L

**Version 1.0.0**

# Table of Contents

1	General Introduction .....	1
1.1	Overview .....	1
1.2	Features .....	1
1.3	Specifications .....	2
2	Device Framework .....	3
3	Installation.....	4
4	Menu.....	6
4.1	Settings .....	6
4.2	Menu Operation .....	6

## **Welcome**

Thank you for purchasing our HD analog camera!

This user's manual is designed to be a reference tool for your system.

Please read the following safeguard and warnings carefully before you use this series product!

Please keep this user's manual well for future reference!

# Important Safeguards and Warnings

## 1 . Electrical safety

All installation and operation here should conform to your local electrical safety codes.

The power shall conform to the requirement in the SELV (Safety Extra Low Voltage) and the Limited power source is rated DC 12V in the IEC60950-1. (Power supply requirement is subject to the device label).

Please install easy-to-use device for power off before installing wiring, which is for emergent power off when necessary.

Please check if the power supply meets the requirements of working voltage of the camera before operating the device (The material and length of the power supply cable will influence terminal voltage value).

Please prevent the line cord from being trampled or pressed, especially the plug, power socket and the junction from the device.

We assume no liability or responsibility for all the fires or electrical shock caused by improper handling or installation.

## 2 . Environment

Please don't aim the device at strong light (such as lighting, sunlight and so on) to focus.

Please transport, use and store the device within the range of allowed humidity and temperature.

Please do not allow water and other liquid falling into the camera in case that the internal components are damaged.

Please keep the sound ventilation in case of heat accumulation.

Heavy stress, violent vibration or water splash are not allowed during transportation, storage and installation.

Please pack the device with standard factory packaging or material with same quality when transporting the device.

It is recommended to use the device together with lightning protection device to enhance lightning protection effect.

It is recommended to GND the device to enhance device reliability.

It is advised to use qualified video transmission cable to improve video quality.

## 3 . Daily Maintenance

Please shut down the device and then unplug the power cable before you begin daily maintenance work.

Use the dry soft cloth to clean the device.

If there is too much dust, please use the water to dilute the mild detergent first and then use it to clean the device. Finally use the dry cloth to clean the device.

Please put the dustproof cap to protect the CMOS component when you do not use the camera.

## **Warning**

Please use the standard accessories provided by manufacturer and make sure the device is installed and fixed by professional engineers.

Please prevent the device surface from the radiation of laser beam when using laser beam device.

Please do not provide two or more power supply modes for the device, otherwise it may cause damage to the device.

## **Statement**

Please refer to the actual product for more details; the manual is just for reference.

The manual will be regularly upgraded according to the product update; the upgraded content will be added in the manual without prior announcement.

Please contact the customer service for the latest procedure and supplementary documentation.

The company is not liable for any loss caused by the operation which is not followed by the manual.

Please refer to the company's final explanation if there is any doubt or dispute.

# 1 General Introduction

## 1.1 Overview

This series HD analog camera conforms to the HDCVI standard. It supports video signal high-speed long distance transmission without any delay. It can be controlled by the DVR conforming to the HDCVI.

## 1.2 Features

- High-performance CMOS image sensor.
- Support 1080p@25fps (PAL)/ 30fps (NTSC)
- Support 75-3 coaxial cable (Belden 9259 or equivalent) transmission up to 500m.
- High speed & long distance real-time transmission.
- Support ICR for day time and night time operation.
- Support auto exposure, auto white balance, auto electronic shutter and auto gain function.
- Support DC12V power supply.
- IP66 compliance.

## 1.3 Specifications

Parameter	CV-CPW203L
<b>Camera</b>	
Image Sensor	1/2.9" 2.0 Mega Pixels CMOS
Effective Pixels	1936 (H) x 1097 (V)
Min Illumination	0.02Lux/ F2.0, 0Lux IR on
Electronic Shutter	PAL : 1/25s~1/100,000s NTSC: 1/30s~1/100,000s
Video Frame Rate*	PAL : 25fps NTSC: 30fps
Synchronization	Internal
Day & Night	Auto (ICR)/ Color/ B/W
Max IR Distance	20m
Digital Noise Reduction	2D
White Balance	Auto
AGC	Auto
BLC	Auto
<b>Lens</b>	
Focal Length	3.6mm
Angular Field of View	H: 82.8° V: 44.2°
Lens Type	M12
<b>Input / Output</b>	
Video Output	1CH BNC HD-CVI video output
<b>General</b>	
Power	DC 12V±25%
Power Consumption	2.8W MAX
Working Temperature	-30°C~+60°C. Less than 95% RH (no condensation)
Dimensions	Φ70.0 mm x 156.0 mm
Weight (approx.)	300g
External Case	Metal

\*Refer to DVR spec sheet for recording frame rate limitation

## 2 Device Framework

Please refer to the following figures for dimension information. The unit is mm.

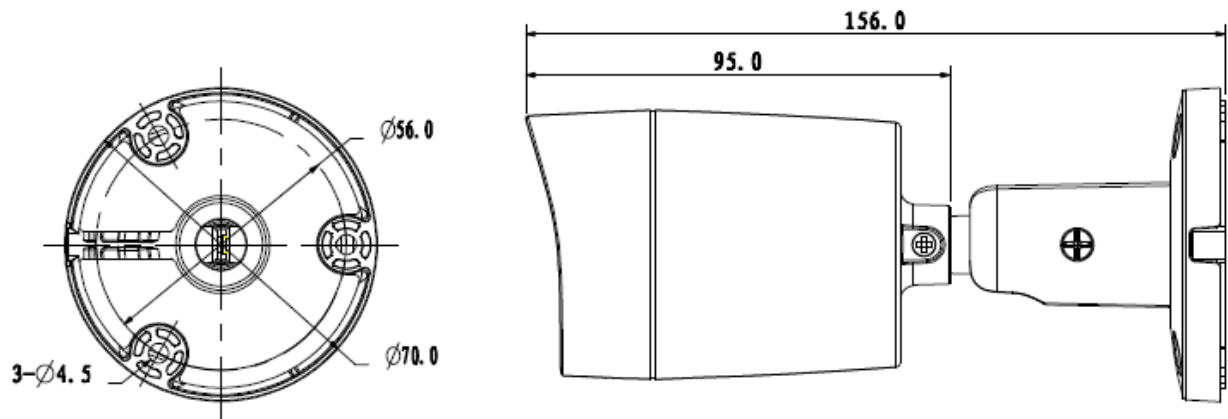


Figure 2-1

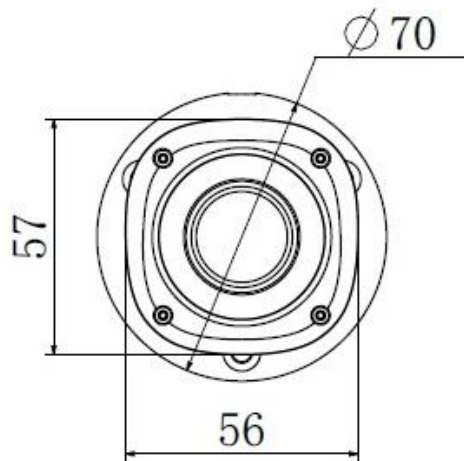


Figure 2-2

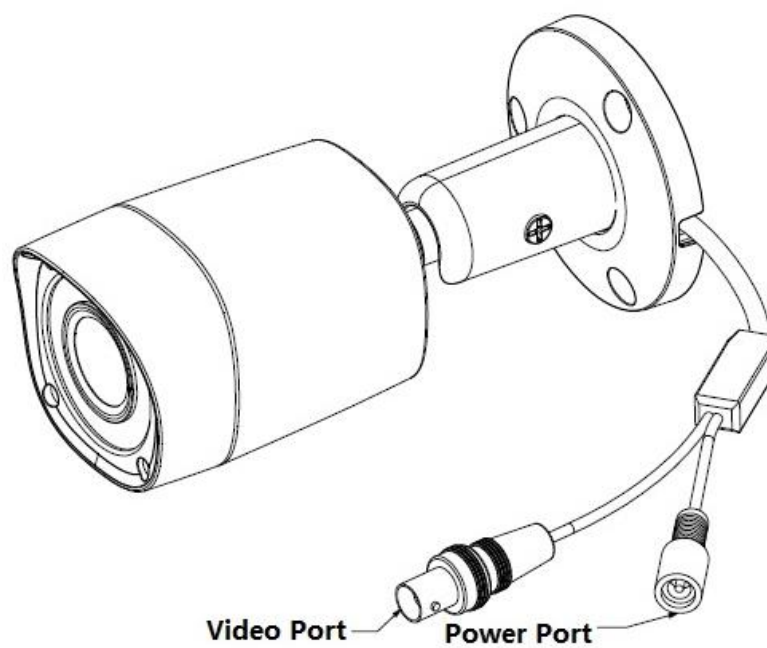


Figure 2-3



### 3 Installation

#### Important

- Before the installation, please make sure the installation surface can sustain at least 3X weight of the bracket and the camera.

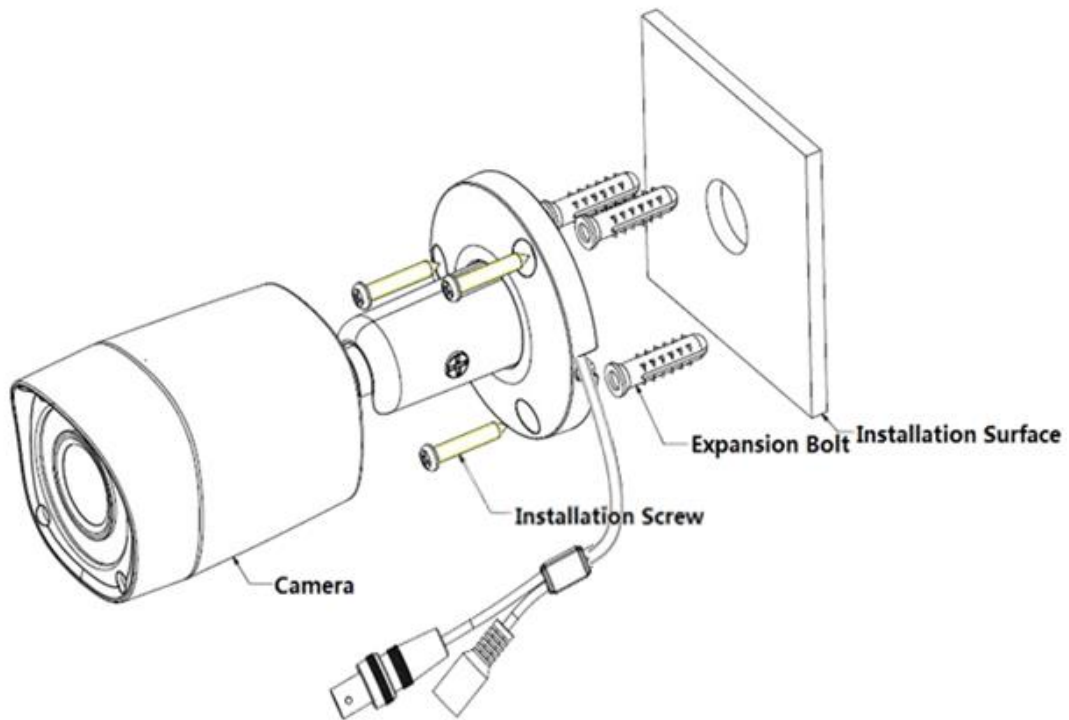


Figure 3-1

#### **Step 1**

- Please install the expansion bolt if you want to install in the cement wall (Please make sure the installation holes of the expansion bolts are the same with the bracket.) Then you can install the bracket. See Figure 3-1.
- If you want to install in the wood surface, please skip the first step and then use the self-tapping screws to install the bracket directly.

#### **Step 2**

Unscrew the locking screws on the bracket in the direction shown in Figure 3-2, adjust the camera to an exact location which needs to be monitored by rotating the bracket and camera body, and then secure the bolts.

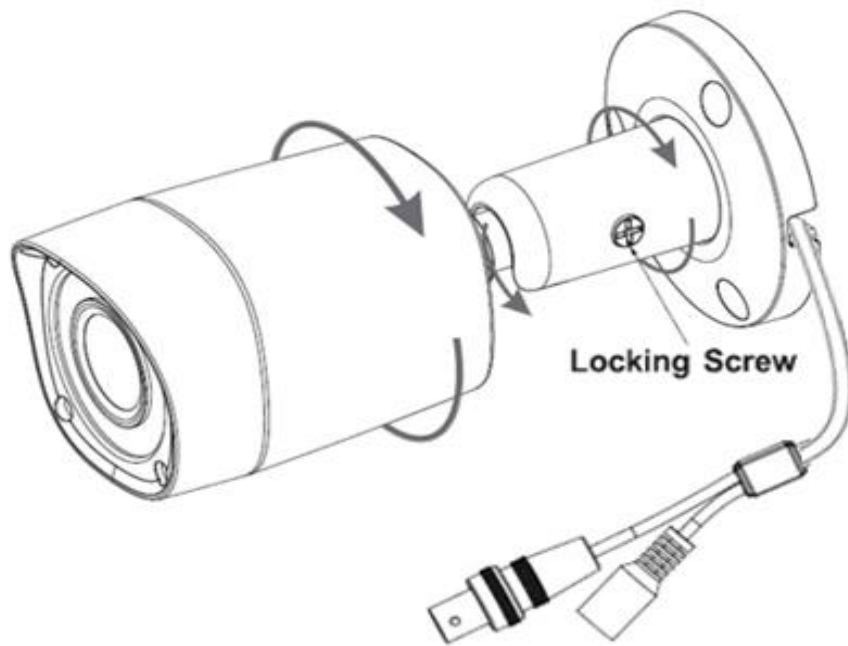


Figure 3-2

**Step 3**

Connect the video output port of the device cable to the terminal encode devices, and connect the power port of the device cable to the power.

## 4 Menu

This is only applicable for Philippines.

### 4.1 Settings

After connected the camera to the HDCVI series DVR, from MAIN MENU->GENERAL->PAN/TILT/ZOOM, you need to select the channel number for access and set control mode as HDCVI and the protocol as HD-CVI. Click "Save" button to save current setup. See Figure 4-1.



Figure 4-1

### 4.2 Menu Operation

Click the right mouse button and select "PAN/TILT/ZOOM", then you will see the "PAN/TILT/ZOOM" setup menu, which is as shown in Figure 4-2 and Figure 4-3.



Figure 4-2



Figure 4-3

See Sheet 4-1 for the details of button functions.

Button	Function
	Open menu
	Select menu item
	Select menu value

Sheet 4-1

If there is “↵”, click the “Confirm” button in “Menu Operation” interface to go to the 2nd menu. Click “Return” button to go back to the previous menu interface.

#### Note

- This manual is for reference only. Slight difference may be found in the user interface.
- All the designs and software here are subject to change without prior written notice.
- All trademarks and registered trademarks mentioned are the properties of their respective owners.
- If there is any uncertainty or controversy, please refer to the final explanation of us.
- Please visit our website or contact your local service engineer for more information.